

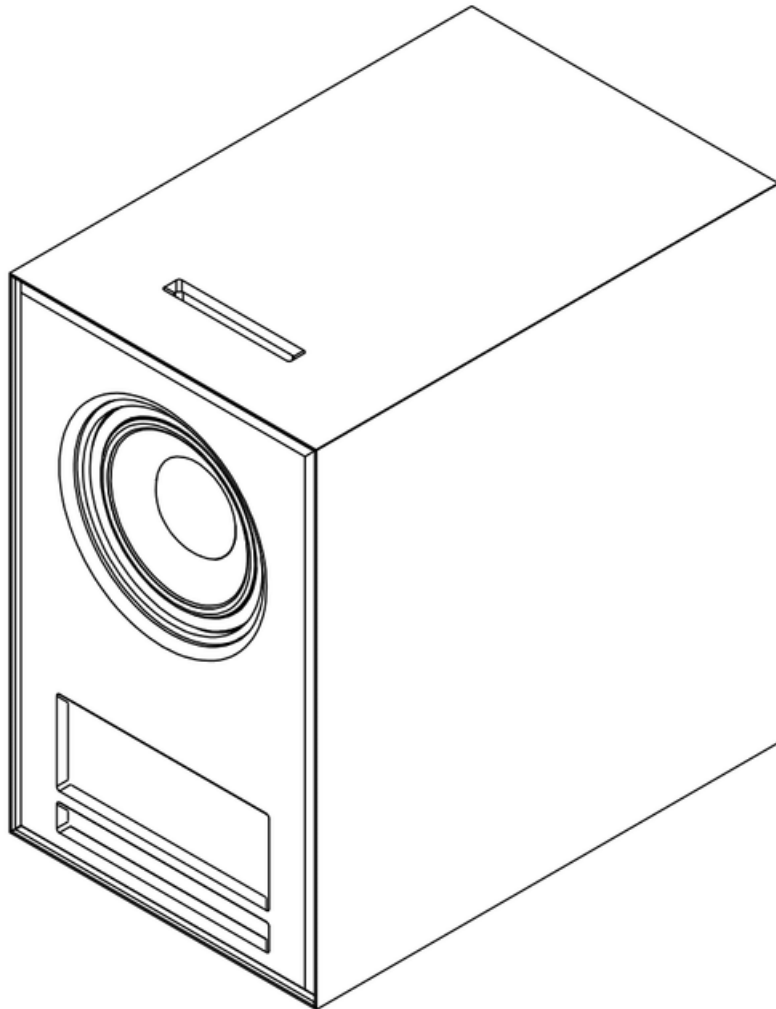
---

# ***KENAZ***

## **AD36**

### **Active speaker**

### **User Manual**





AD36 Active speaker

# General Contents

Introduction	-----	1
Warranty	-----	2
How to use	-----	3
Technical Specifications	-----	7

---

# Introduction

Thank you for choosing and purchasing AD36 from Kenaz Audio.

Please take a few more minutes for this manual before your journey with AD36.

If you have any further questions, advice, or need any help, you can contact us with the following information:

**1F., No.10, Ln. 287, Sec. 1, Zhongxing Rd. Xindian Dist.,**

**New Taipei City 231004 Taiwan (R.O.C.)**

**TEL +886 2 89115471**

**EMAIL [info@kenzaudio.com](mailto:info@kenzaudio.com)**

**WEB [www.kenzaudio.com](http://www.kenzaudio.com)**

---

# Warranty

## **Safety**

Do not expose the loudspeaker to water or any moisture. Do not place any objects filled with liquid, such as vases, on the loudspeaker or near it.

To avoid any electronic failure, the loudspeaker must not be opened by yourself.

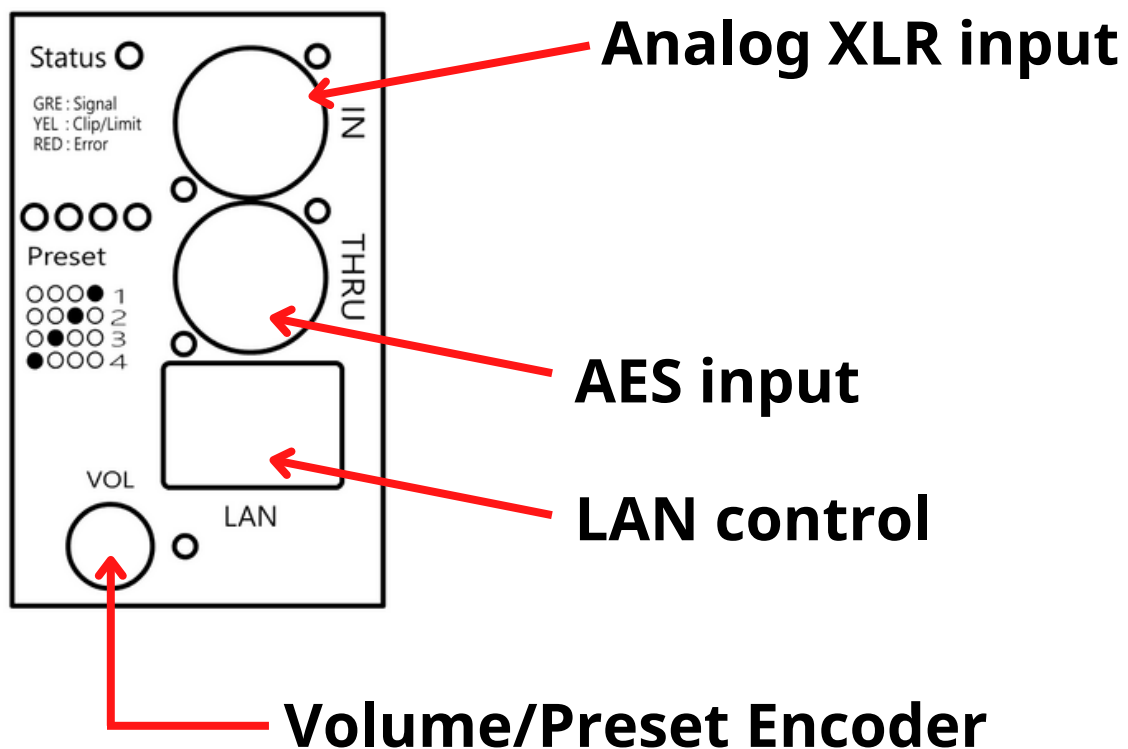
## **Warranty**

Our loudspeaker is guaranteed for a period of 18 months against faults in materials or workmanship

---

# How to use Main Connections

## Rear Panel



## How to use Volume / Preset Encoder

### Tune the Volume

To tune the volume, just turn the pot , the volume will be show in prest LEDs.

---

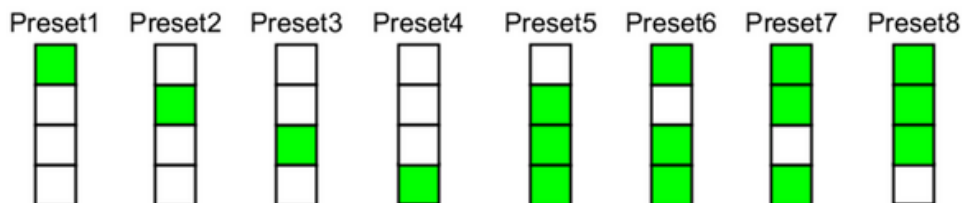
## **Loading Preset**

- Press the encoder shortly
- The LED or LEDs (in inverted mode for preset 5 to 8) that indicate the selected Preset starts blinking
- Turn the encoder to select the preset
- Press encoder for few seconds to load the Preset
- If No preset selected after few seconds the preset selection will be terminated and preset LEDs will stop blinking (goes back to previous preset loaded)

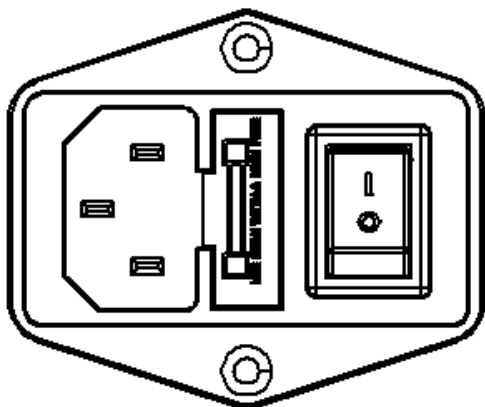
---

### Preset LEDs:

Four LEDs indicate actual preset number from 1 to 8. Inverted mode is used to show preset, number 5 to 8. Preset LEDs are also used in Preset load mode and for notify function.



## Power and Fuses



### AC Power / Main Fuses

Global voltage AC input

5x20mm 250v 6A

Fuses acquired

---

# Technical Specifications

DSP	. 96Khz
Max SPL	. 114dB(1M)
Power	. 700W+700W
Frequency	. 40Hz~18kHz ( $\pm 1$ dB)
Crossover	. Active Passive hybrid
Input	. XLR*1 AES*1
Dimension	. W246*D370*H388(mm)
Weight	. 14.6kg