

KINKI STUDIO

EX-M7
STEREO POWER AMPLIFIER
INSTRUCTION MANUAL

We are from China

English

PREFACE 前言

Thank you for purchasing the KINKI STUDIO EX-M7 Power Amplifier.

Please take some time to read this manual. It can provide you with useful information to enjoy more fun while listening music with the KINKI STUDIO EX-M7.

Introduction

Founded in 2008, KINKI STUDIO is dedicated to the design and manufacture of high-quality audio equipment. The core design philosophy is to reproduce the sound to its original recording intent and avoid distortion caused by excessive rendering. In order to obtain the best results, KINKI STUDIO insists on using the advanced technology in the audio industry, continuous improvement and refinement over the years, created KINKI STUDIO today.

The high standards and concepts to reproduce sound that have been pursued in the design and manufacturing process, technology and quality have become the core values of KINKI STUDIO.

WARNING 警告

These instructions must be read before starting the connection or operation, otherwise the amplifier may be risk to mis-operational damage.

Please read and understand the operation and application in detail below.

This is a very high quality amplifier, features with new technology. It is the industry leading audio system for reproducing accurate sound. Only careful installation and correct operation can provide you with the satisfaction you expected. The installation instructions and precautions must be strictly followed to achieve the desired results without affecting the performance of the amplifier.

CONTENT 目錄

01	Unpacking-----	1
02	Placement & Cold Start-----	2
03	Operational Voltage-----	2
04	Connections-----	3
05	Control-----	4-5
06	Optimization-----	6
07	Protection Features-----	7
08	Product Care-----	7
09	Technical Parameters-----	8
10	Block Diagram-----	9-10

KINKISTUDIO

1

UNPACKING

拆包

1. Unpacking

KINKI STUDIO EX-M7 comes with :

- Power Amplifier
- Instruction Manual
- El cheapo Power Cord (Please use your own audiophile power cord for best sound)

Note:

If the power amplifier needs to be returned to the factory for servicing/warranty or secondary transportation, please use the original packaging. The packaging is specially designed and manufactured by KINKI STUDIO, which can better protect the amplifier during transportation, so please keep the original after unpacking the package.

2. Placement & Cold Start

KINKI STUDIO EX-M7 Power Amplifier, like all high-quality amplifiers, generates a certain amount of heat and must be properly dissipated. To ensure good heat dissipation and cooling, do not place temperature sensitive equipment on top of the amplifier.

EX-M7 comes with 4pcs of footers. Please ensure they are properly placed on the flat surface on the rack.

3. Operational Voltage

The normal working voltage of the EX-M7 is AC 100-120V for AC110 option, and AC 200V~245V for AC230 option. If your normal operating voltage is outside the above range, please consult us.

The EX-M7 is protected by a fuse located at the IEC inlet, rated at 10A slow blow fuse.

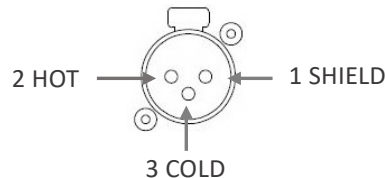
4. Connections

Connect the power cord to the IEC inlet of the amplifier and plug it into the power plug socket. For safety reasons, a 3-wire grounding (earth) plug must be used, whenever possible. In order to get the best sound from the amplifier, avoid using any multiple plugs socket or extension cords.

The signal input connections are located at the rear panel with indication.

You may use either RCA *or* XLR connection to source/preamp. The XLR Pinout is as follow:

- Pin 1 (Shield)
- Pin 2 (Hot)
- Pin 3 (Cold)



Warning: Do not remove/insert the interconnects and speaker cable when the amplifier is powered on. Always remember to unplug the power cord before any connection of cables

5. Control

Power Up

The power inlet IEC of the EX-M7 is located at the rear panel. After the power is supplied to the amplifier, it will be in *Start-up* state. The display will indicate WAIT and Orange LED blinks for 5s.

Thereafter, the amplifier will be in Standby state, where the display indicates STANDBY and Orange LED stop blinking.

To power up, press on the Power Button once, the soft-starter circuit in the EX-M7 engaged, display indicates OPERATION and Green LED light up after a short delay, the amplifier will be in *Operational* state.

Fault

Should the display FAULT and Red LED light up, it signify the amplifier is in *Fault* state. Please turn it off and confirm all connection correctness. Should the fault persisted, please contact our sales support.

6. Optimization

Placement platform

The EX-M7 has extraordinary dynamic capabilities and sound transparency. To fully unleash its performance, it must be placed on a rigid platform or proper HiFi rack. Please avoid the use of any soft materials such as carpets underneath the amplifier.

Warm Up

When the amplifier has not been used for a while, it will take 20 to 45 minutes to "warm-up". In order to achieve the best operating temperature, the circuit must be warmed up to approximately 55 degrees Celsius.

Note: The EX-M7 amplifier takes about 300 hours to burn in. Please don't worry, the sound will and can only be improved as it burns in.

7. Safety & Protection

Speaker Protection

The EX-M7 is equipped with speaker protection feature. In the event of mis-operational or malfunction of the loudspeaker, the protection circuit engaged to protect the amplifier from further damage.

The EX-M7 is a direct DC coupler amplifier. If the connected source (Preamp/DAC) has DC-offset (tube output stage especially), it may result high DC output at the speaker output terminator – risk of burning the loudspeakers.

Input Signal

Connect only the RCA or XLR interconnect to the EX-M7, one at a time. The interconnect shall not be placed in parallel to the Power Cord. Placement as such may cause the amplifier to oscillate. Should the oscillation occur, the right LED will be off – to indicate that the amplifier is in protection mode. Please check and rearrange cables to mitigate the fault.

8. Product Care

The EX-M7 usually requires no maintenance and requires only occasional cleaning of the physical surface.

The power must be turned off and removed before cleaning the amplifier. Clean the surface of the amplifier with a soft, slightly damp cloth. Wipe gently with a soft cloth dampened with water or a mild detergent solution. Please avoid the use of harsh detergents (i.e. product containing sodium carbonate).

9. Technical Parameters

Frequency Response: 0-2.5MHz ($\pm 3\text{dB}$)

THDN: $< 0.07\%$ (-80db)

S/N Ratio: $> 103\text{db}$ (0.01Hz- 1 MHz), $> 130\text{db}$ (A-Weighted)

Output Power: 250W(8 Ohms), 420W(4 Ohms)

Max Instantaneous Power: 400w RMS (8 Ohms)

Max Output Voltage: 72VAC, 18A

Slew Rate: 200 V / μs (Rise Time $< 100\text{ns}$)

AC Power: 110/240VAC, 50/60Hz (Factory configure).

Power Consumption: 30W Idle, 700W Max Output

Input / Output

Input Sensitivity: 1.45 V RMS

Input Impedance: 51k Ω (Acceptable Range 10-52k Ω)

Input Connector: RCA x 1, XLR x 1

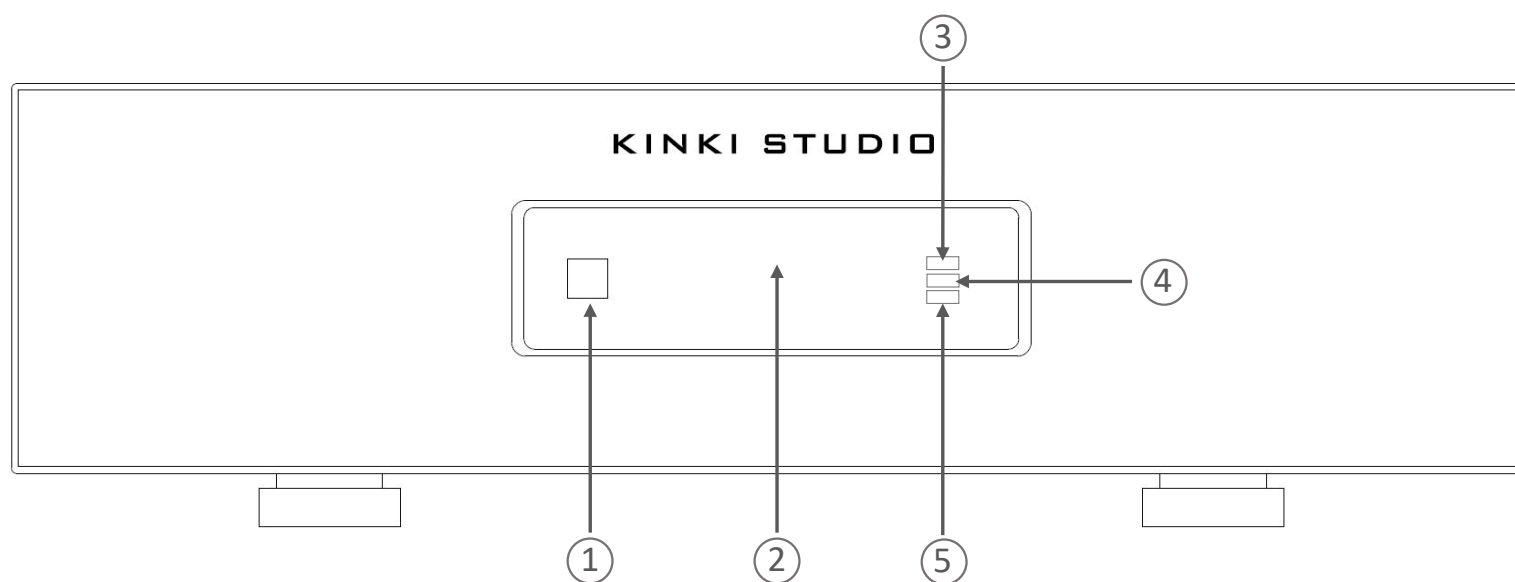
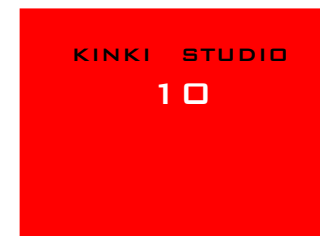
Output: Speaker Binding Post 4mm L/R Channel

Dimension & Weight

Dimension: 430D x 375W x 110H

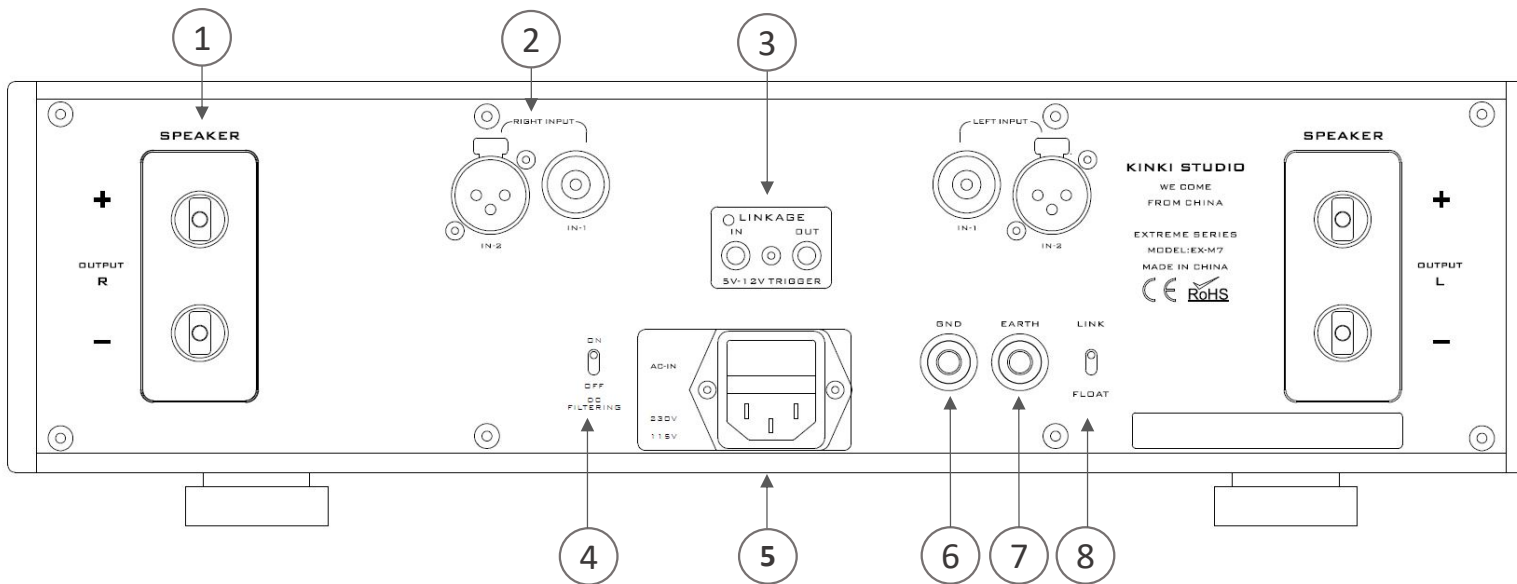
Weight: 25KG





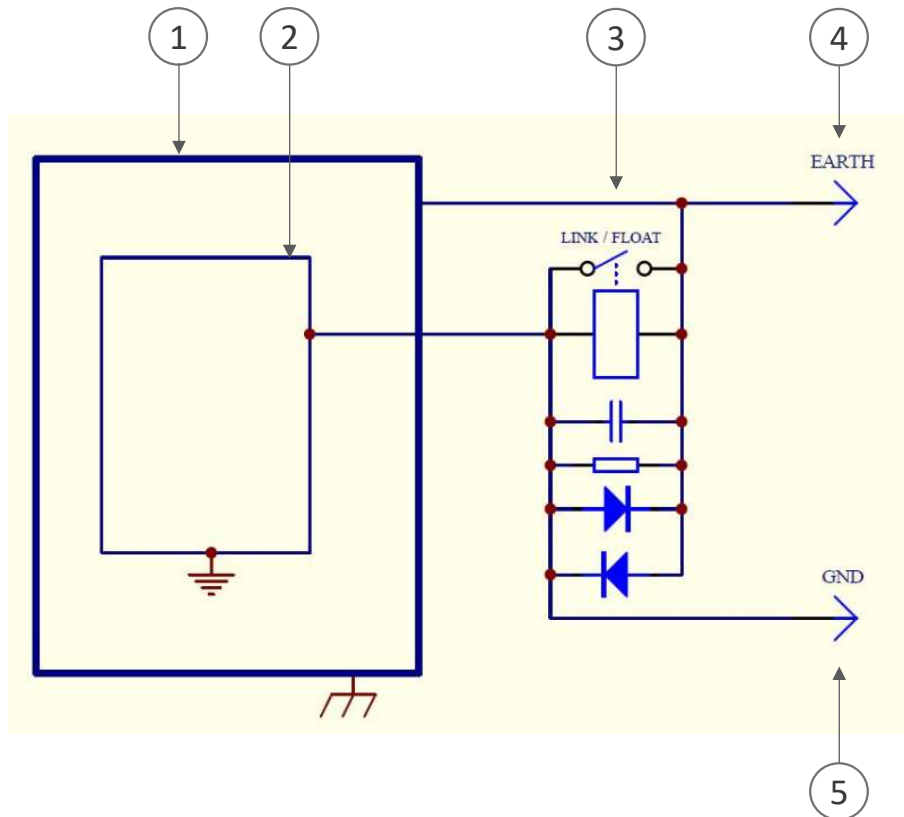
- 1. Power Button
- 2. Display
- 3. Standby LED
- 4. Operation LED
- 5. Fault LED

Front Panel



1. Speaker Binding Post
2. Signal Input
3. 12V Trigger
4. AC Filter Switch
5. Fused AC Power Inlet
6. GND Terminal
7. EARTH Terminal
8. Earth Toggle Switch

Rear Panel



The EX-M7 is equipped with EARTH/GND optimization scheme where you may utilize it to optimize the sonic performance of the system.

Toggle the LINK/FLOAT switch (3) to engage or dis-engage the power earth (2) with the chassis (1).

You may connect the EARTH (4) and/or GND (5) to the upstream equipment to link the amplifier chassis to the upstream equipment chassis. If the upstream equipment does not come with a GND terminal, you may attach the wire to the screw.

You may connect the EARTH/GND terminal to the ground box too to experiment the differences. Enjoy!

EARTH/GND Optimization

KINKI STUDIO